



TX/Communications Canada Inc.

ELITE

Integrated Voice over IP

I.VoIP

Product Specification

Specifications subject to change without notice

Introduction

The transfer of voice traffic over packet networks, and specially voice over IP, is rapidly gaining acceptance. While many corporations have long been using voice over Frame Relay to do saving by utilizing excess Frame Relay capacity, the dominance of IP has shifted most attention from VoFR to VoIP. Voice over packet transfer can significantly reduce the per-minute cost, resulting in reduced long-distance bills.

In fact, many dial-around-calling schemes available today already rely on VoIP backbones to transfer Voice, passing some of the cost savings to the customer. These high-speed backbones take advantage of the convergence of Internet and Voice traffic to/from a single network.

The Elite I.VoIP (**Integrated Voice over IP**) feature transport of any voice and non-voice traffic over IP or Ethernet networks transparently. The handling traffic could be Traditional Analog Voice, TDM Voice/Data, E1/T1 and ISDN with different signaling schemes.

The versatility and the modularity of the design ensure the flexibility to support applications ranging from small organization to extensive networks.

Each I.VoIP on the Elite single shelf could handle traffic of TDM payloads of up to 512 x 64Kbps time slots.

The source of traffic could be Analog/Digital lines, PSTN E1/T1 links or the payloads coming from OC3 ring.

Features:

- Ethernet 10-baseT or 100-baseT (Full/Half Duplex) Network connection,
- E1/T1, ISDN and TDM Voice/Data Communications over IP and Ethernet Networks,
- Copper or Fiber Ethernet connection option,
- Fractional and Unframed E1/T1 are supported,
- ISDN BRI and PRI are supported
- Quality of Service (QoS) is fully supported,
- Improved IP Network Signaling,
- RISC Processors and DSPs based,
- Minimum Processing Delay,
- Configurable Jitter Buffer,
- Network Packet Delay Management,

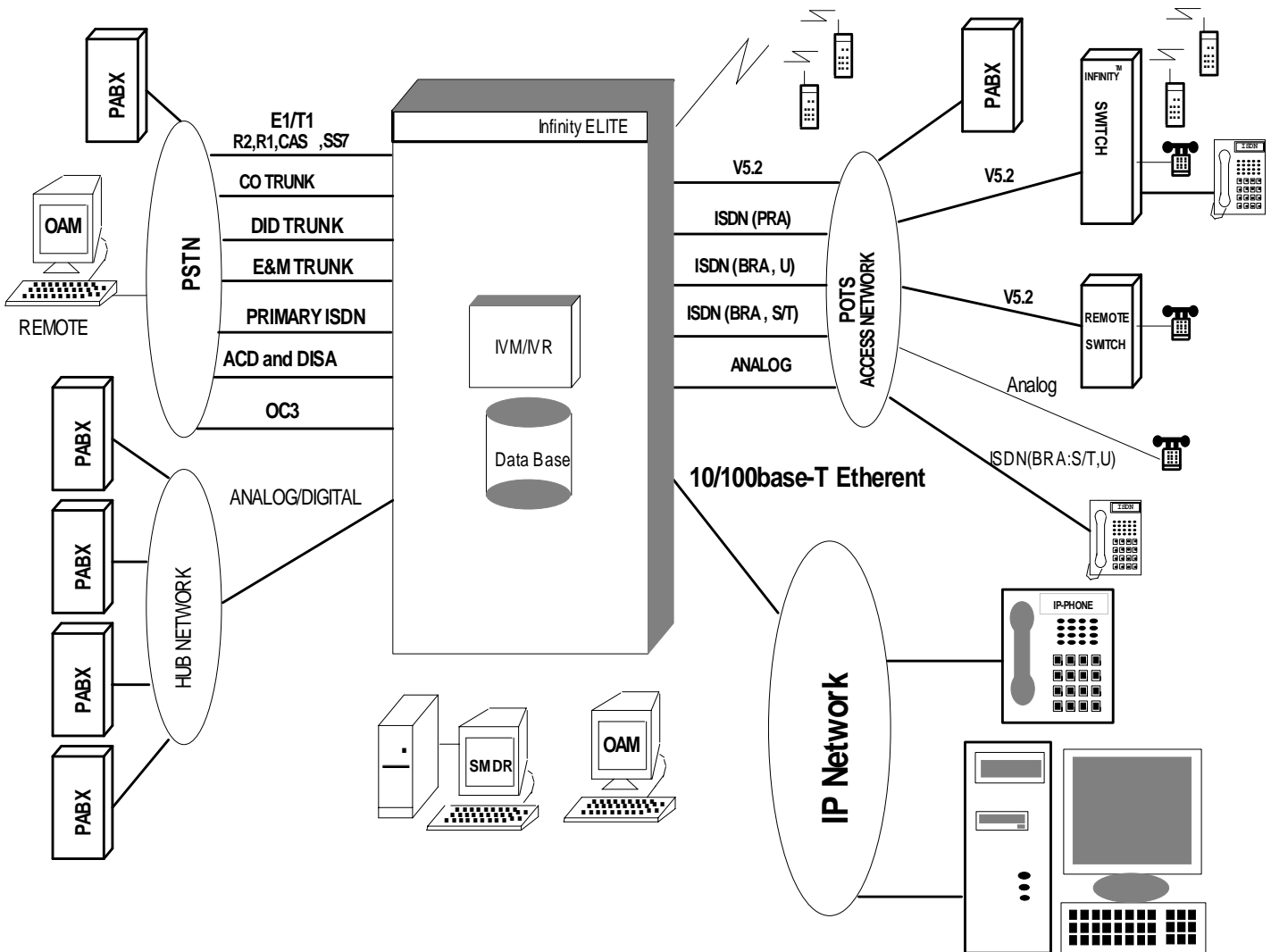
Specifications:

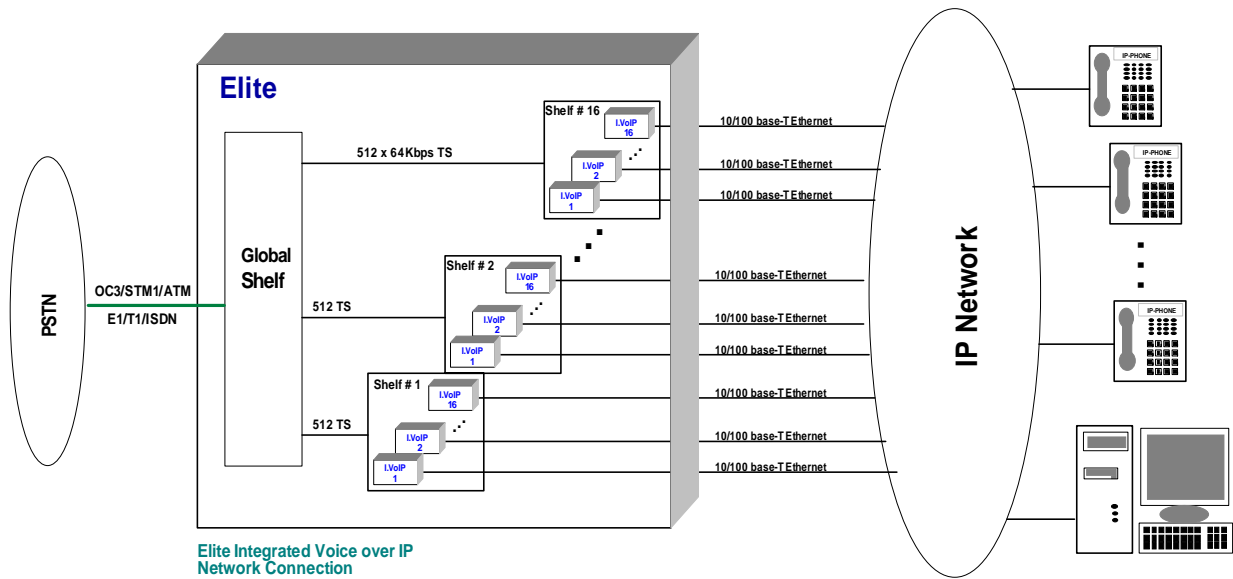
- Standards:
IEEE 802, Ethernet
- Data Rate:
10 or 100 Mbps, Half/Full duplex
- Connector:
RJ-45, 8 pins

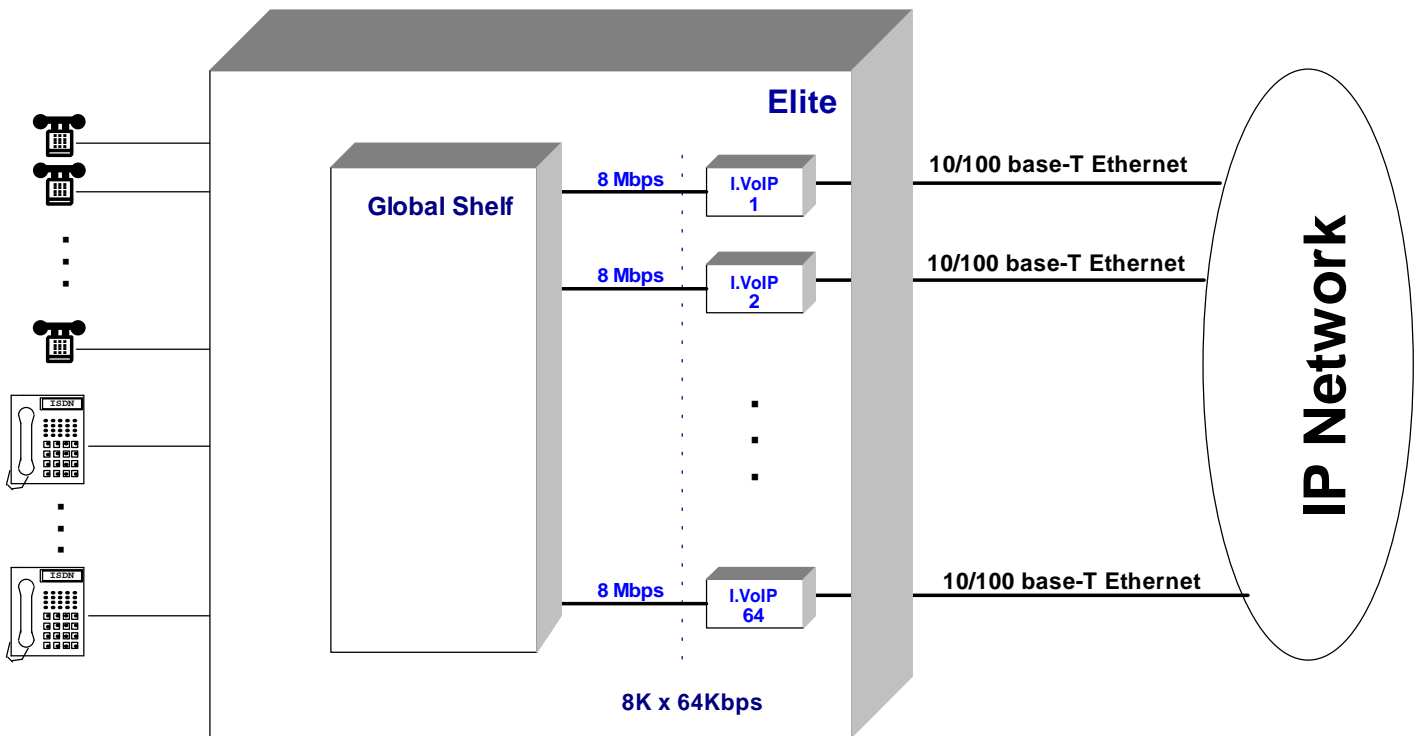
Applications:

- VoIP Gateway

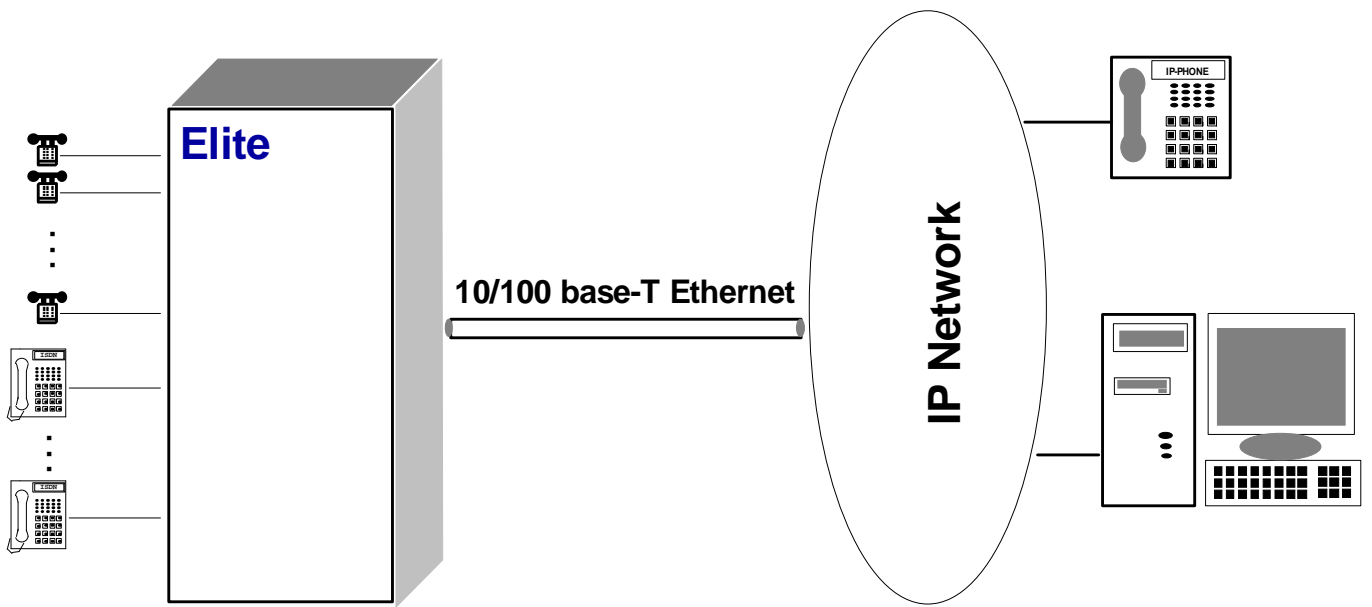
PSTN (E1, T1, OC3) / IP Network Interface
 POTS (Traditional Telephone) / IP Network Interface
 ISDN-BRA/IP Network Interface



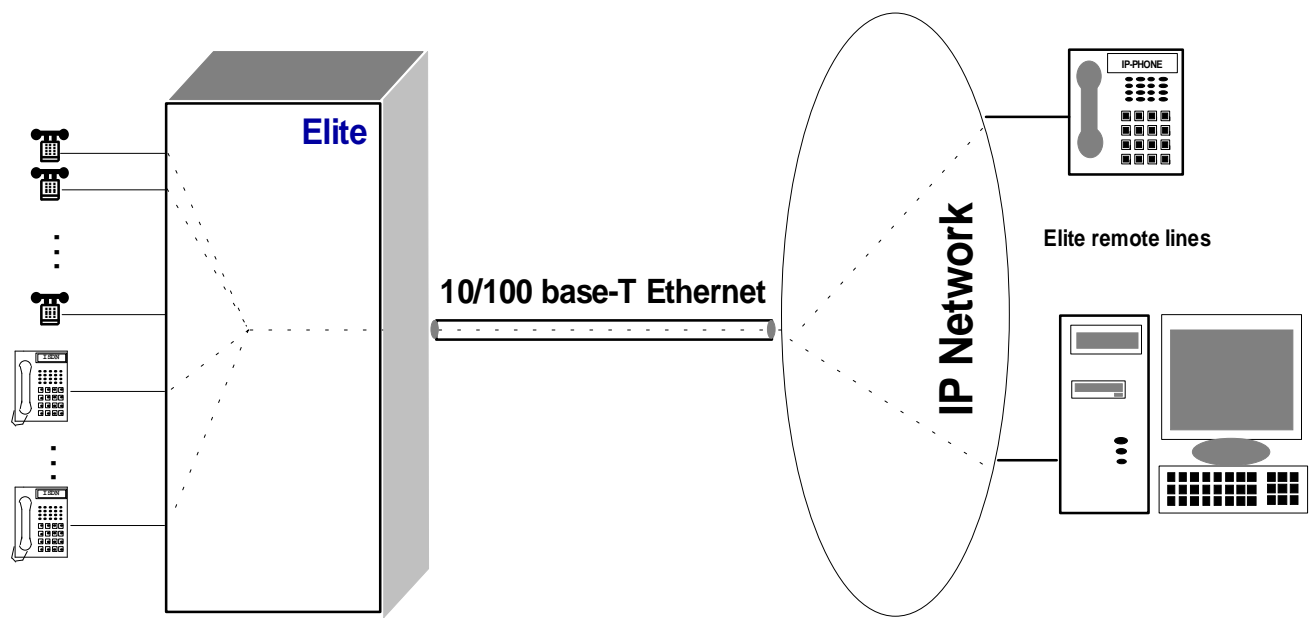




**Elite Integrated Voice over IP
Network Connection**



Elite Integrated Voice over IP
POST Connection



Remote Extended Lines application